

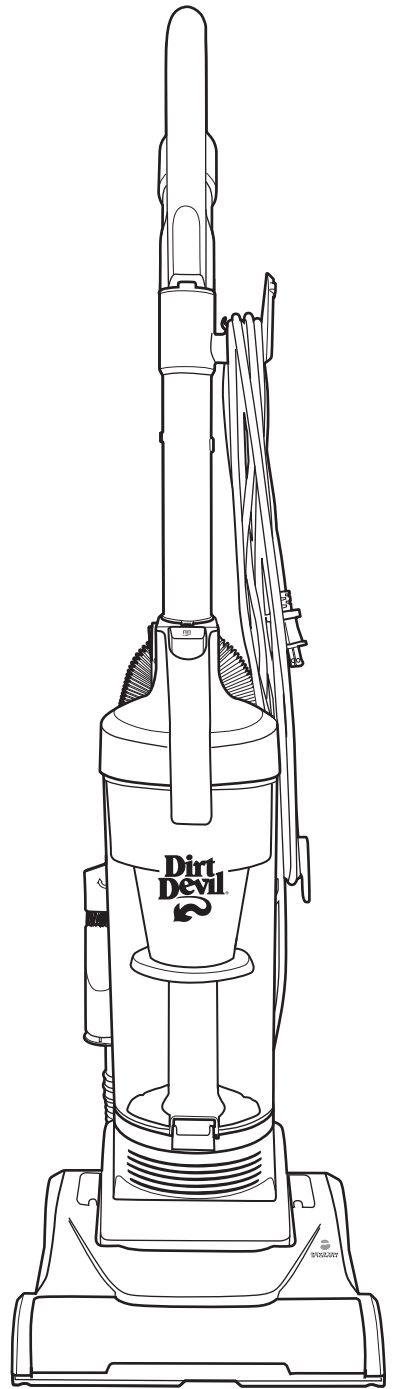


WHOLE HOME CLEANING

Quick Clean
Upright Vacuum

Model EV0201BU

USER GUIDE



Thank you for choosing Dirt Devil!






PLEASE READ BEFORE RETURNING THIS PRODUCT FOR ANY REASON.

IMPORTANT SAFETY NOTIFICATIONS




**Before operating the Vacuum cleaner,
please read all safety and operating instructions.
Save all instructions in a safe place for future reference.**



DEFINITIONS: Safety Alert Symbols and Words


This instruction manual uses the following safety alert symbols and words to alert you to hazardous situations and your risk of personal injury or property damage.

-  **DANGER:** Indicates an imminently hazardous situation which, if not avoided, **could** result in death or serious injury.
-  **WARNING:** Users of this product are cautioned not to make modifications or changes that are not approved by ePro USA, LLC, doing so may void the compliance of this product.
-  **CAUTION:** Indicates a potentially hazardous situation which, if not avoided, **may** result in minor or moderate injury.
-  **ATTENTION:** Alerts the user to the presence of important operating and maintenance instructions for this appliance.
-  (Used without word) Indicates a safety related message.

NOTICE: Indicates a practice **not related to personal injury** which, if not avoided, **may** result in property damage.

-  **WARNING: Read all safety warnings and all instructions.**
Failure to follow the warnings and instructions may result in electric shock, fire and/ or serious injury.
 -  **WARNING:** Never modify the product or any part of it. Damage or personal injury could result.
 -  **WARNING:** To reduce the risk of injury, read the instruction manual.
-

-  **WARNING:** Do not alter the plug in any way. If the plug does not fit fully in the outlet, reverse the plug. If it still does not fit, contact a qualified electrician to install the proper outlet.
-  **WARNING:** Before assembling or disassembling the accessories always ensure that the appliance has been unplugged from the wall outlet! Make sure that the appliance is switched off and unplugged.

 **WARNING:** This product can expose you to chemicals including Lead, which is known to the State of California to cause reproductive harm. For more information go to www.P65Warnings.ca.gov

IMPORTANT SAFETY NOTIFICATIONS

When using an electrical appliance, basic precautions should always be followed, including the following:

⚠ WARNING: To reduce the risk of fire, electrical shock or injury:

- Shock Hazard. Do not put the vacuum in water or other liquid.
- Use only as described in this manual. Use only manufacturer's recommended attachments.
- Do not use with damaged cord or plug. If appliance is not working as it should, has been dropped, damaged, left outdoors, or dropped into water, return it to a service center or dispose of it according to your local waste and disposal guidelines.
- Do not pull or carry by cord, use cord as a handle, close a door on cord, or pull cord around sharp edges or corners. Do not run appliance over cord. Keep cord away from heated surfaces.
- Do not unplug by pulling on cord. To unplug, grasp the plug, not the cord.
- Do not allow the cord to hang over the edge of a table or counter or touch hot surfaces. The unit should be placed or mounted away from sinks and hot surfaces.
- Do not put any object into openings. Do not use with any opening blocked; keep free of dust, lint, hair, and anything that may reduce air flow.
- Keep hair, loose clothing, fingers, and all parts of body away from openings and moving parts.
- Do not use to pick up flammable or combustible liquids, such as gasoline, or use in areas where they may be present.
- Do not pick up anything that is burning or smoking, such as cigarettes, matches, or hot ashes.
- Do not pick up toxic material (i.e. chlorine bleach, ammonia, drain cleaner, etc.)
- Do not vacuum toner (for laser printer, copy machines etc.) as there is a risk of fire and explosion.
- Do not vacuum plaster, cement etc. as the filter can become blocked.
- Do not use the vacuum without all the filters fitted.
- Do not operate outdoors. This appliance is intended for household use only and not for commercial or industrial use.
- Do not operate on wet floor or moist conditions (e.g bathroom. Water and moisture could damage the circuit board).
- Do not handle plug with wet hands.
- Use extra caution when cleaning on stairs.
- Plug the plug directly into an electrical outlet.
- Use the plug only in a standard electrical outlet (120V/60Hz).
- Unplug the plug from outlet before any routine cleaning or maintenance.
- Do not look into the air vents when the unit is switched on, as sometimes small debris can be discharged, especially after cleaning or replacing the filter.
- Do not leave appliance unattended when plugged in.
- Do not allow appliance to be used as a toy. Close attention is necessary when used by or near children.
- Turn off the switch before unplugging.

* **Polarized Plugs** (one blade is wider than the other) are used on equipment to reduce the risk of electric shock. When provided, this plug will fit in the polarized outlet only one way.

ADDITIONAL SAFETY WARNINGS

WARNING:

- **Prevent unintentional starting.** Ensure the switch is in the off-position before picking up or carrying the appliance.
- **Have servicing performed by a qualified repair person using only identical replacement parts.**
This will ensure that the safety of the product is maintained.
- **Do not modify or attempt to repair the appliance except as indicated in the instructions for use and care.**
- **Do not store or use the appliance near high temperature areas.**
- **To prevent tripping accidents, store vacuum after each use.**
- **Do not expose the vacuum to outdoor elements.**
- **Do not place any object on top of the product or place the product on a soft surface that might block the ventilation slots and result in excessive internal heat.** Place the product in a position away from any heat source. The charging circuit is ventilated through slots in the left and the right of the housing.
- **Do not operate the product with a damaged cord or plug.**
- **Do not operate the product if it has received a sharp blow, been dropped or otherwise damaged in any way.**
- **Do not disassemble the product; take it to an authorized service center when service or repair is required.**
Incorrect reassembly may result in a risk of electric shock, electrocution or fire.
- **Disconnect the plug from the outlet before attempting any cleaning. This will reduce the risk of electric shock.**
- **If the vacuum requires cleaning, unplug the plug, switch off the unit.**
Do not use cleaners or solvents to clean the exterior of the vacuum. Use only a damp or dry cloth.
- **For safety reasons, this vacuum is designed to power off if the motor overheats.** If this occurs, please switch the power off and unplug the unit to allow the motor to cool down before using again.

GOOD TO KNOW

HELPFUL HINTS

- **DO** empty the dust bin and clean the filters regularly for optimal operation of the vacuum.
- **DO** keep hair, loose clothing, fingers, feet and body parts away from openings or moving parts.
- **DO** disconnect the appliance from the mains supply before storing.
- **DO** turn off controls before you connect or disconnect the appliance to or from the power supply.
- **DO** disconnect the appliance from the power supply when not in use, before changing the filters, cleaning the filters or connecting/disconnecting the accessories.
- **DO** use only on dry, indoor surfaces.
- **DO** use only as described in this manual. Use only manufacturer's recommended attachments.
- **DO** keep cord away from heated surfaces.
- **DO** keep all openings free of dust, lint, hair, and anything that may reduce airflow.
- **DO** use extra care when vacuuming on stairs.
- **DO** keep your work area well lit.
- **DO** ensure children and babies cannot play with plastic bags or any packaging materials.
- **DO** operate the appliance from a power source of the same voltage, frequency and rating as indicated on the product identification plate.
- If this appliance is used by a third party, **DO** supply the instruction manual with it. No liability can be accepted for any damage caused by non-compliance with these instructions or any other improper use or mishandling of appliance. This product has not been designed for any uses other than those specified in this manual.
- **DO NOT** modify the polarized plug to fit a non-polarized outlet or extension cord.
- **DO** keep appliance on a level surface.
- **ONLY** for domestic use. Industrial or commercial use invalidates the warranty.

DO NOT RETURN TO STORE

Contact ePro Support for assistance with your vacuum.

**SCAN TO VISIT
SUPPORT PAGE**



For assistance with your product,
please email service@eproselect.com
or visit our website eProSelect.com



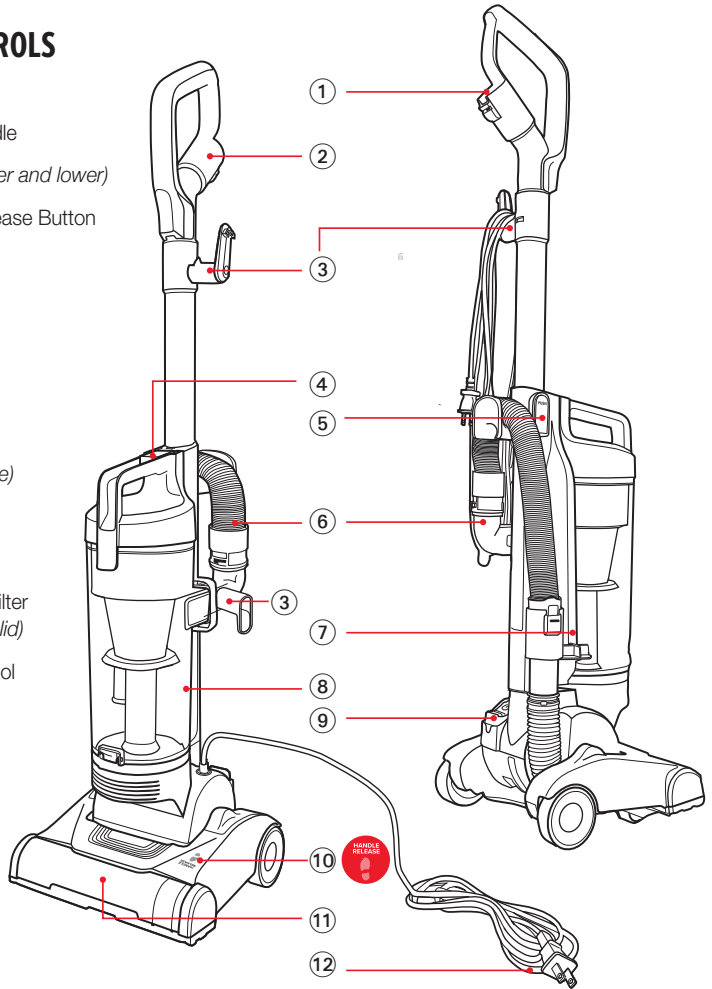
Give us a call!
1-888-858-9100

The Dirt Devil logo and DIRT DEVIL are registered trademarks of
Technic Cordless GP and used under license.

GETTING TO KNOW YOUR VACUUM

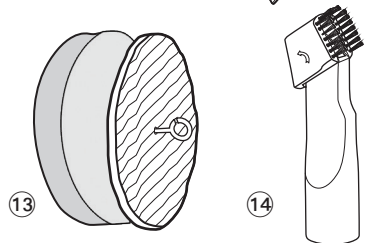
LOCATION OF CONTROLS

- 1 Suction Port For Wand
- 2 Detachable Wand/Handle
- 3 Cord Wrap Hooks (*upper and lower*)
- 4 Dust Bin Assembly Release Button
- 5 Wand Release Button
- 6 Suction hose
- 7 Accessory Holder
- 8 Dust Bin
- 9 ON/OFF Power Pedal
- 10 Recline Pedal (*tilt release*)
- 11 Motorized Floor Head
- 12 19.5 foot Power Cord
- 13 Felt Filter and Primary Filter (*located inside dust bin lid*)
- 14 2-in-1 Crevice/Brush Tool



IN THE BOX

Corded upright vacuum, detachable wand/handle, motorized floor head, 2-in-1 crevice/brush tool, dual layer filter and user guide.



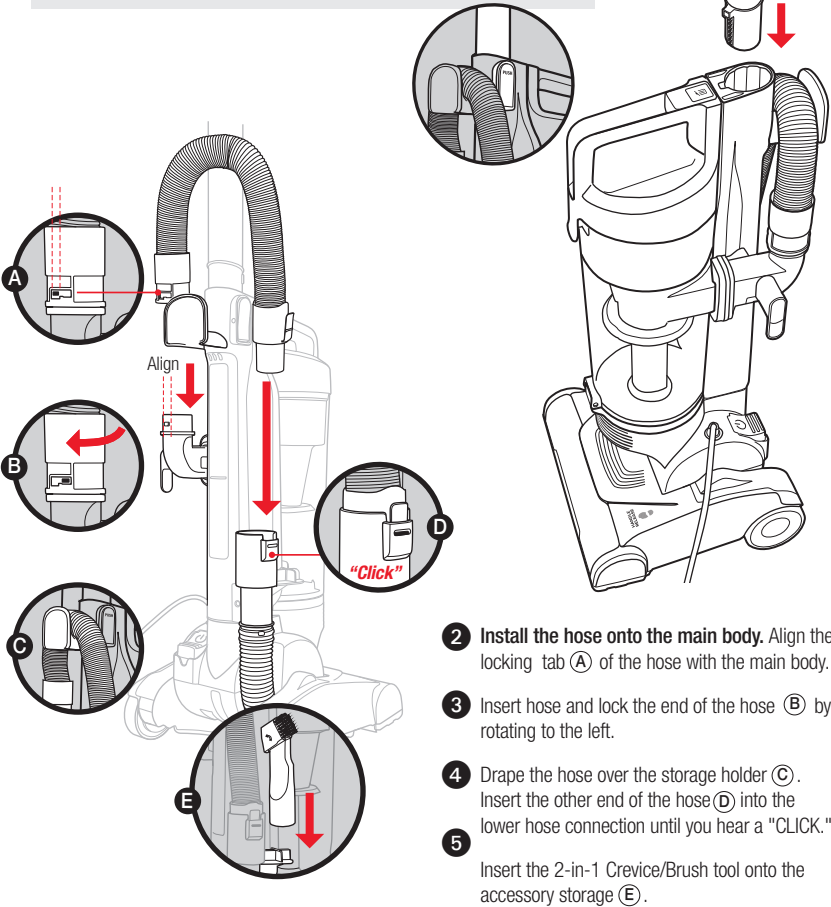
CAUTION: Do not plug in your vacuum cleaner until you are familiar with all instructions and operating procedures.

GENERAL ASSEMBLY

ALWAYS DISCONNECT THE APPLIANCE FROM THE ELECTRIC OUTLET BEFORE ASSEMBLING OR DISASSEMBLING UNIT OR ACCESSORIES.

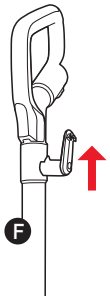
- 1 Insert the **wand handle** into the main body until you hear a "click".

NOTE: To remove the handle from the main body, press the WAND RELEASE BUTTON and pull the handle upward away from the main body.



- 2 **Install the hose onto the main body.** Align the locking tab (A) of the hose with the main body.
- 3 Insert hose and lock the end of the hose (B) by rotating to the left.
- 4 Drape the hose over the storage holder (C). Insert the other end of the hose (D) into the lower hose connection until you hear a "CLICK."
- 5 Insert the 2-in-1 Crevice/Brush tool onto the accessory storage (E).

NOTE: Make sure the upper cord hook (F) is in the upright position as shown. Wrap the power cord loosely around the upper and lower cord hooks.



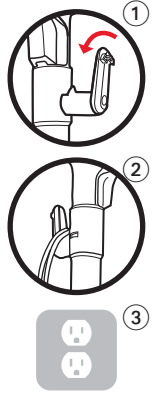
CAUTION: Wrapping the cord too tightly with excessive stress on the cord may cause cord damage. A damaged cord is an electrical shock hazard and could cause personal injury or damage.

OPERATING INSTRUCTIONS

Make sure the vacuum cleaner is completely assembled and the dust bin is empty before using. Do not operate vacuum cleaner without filters in place.

USING YOUR UPRIGHT VACUUM CLEANER

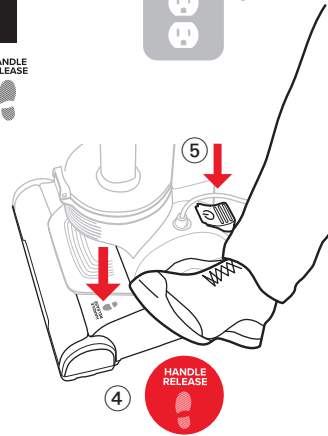
- 1 Twist the cord wrap hook counter-clockwise to release the power cord.
- 2 Insert power cord into the cord wrap hook to help keep the cord away from the floor head during use. This will help manage the power cord when operating the vacuum cleaner.
- 3 Plug the power cord into an AC outlet located near the floor.



WARNING: POLARIZED PLUGS (one blade is wider than the other) are used on equipment to reduce the risk of electric shock. When provided, this plug will fit in the polarized outlet only one way. If the plug does not fit fully in the outlet, reverse the plug.

- 4 Step on RECLINE PEDAL to release the handle and tilt into cleaning position.
- 5 Step on POWER PEDAL to turn vacuum ON or OFF.
- 6 Power off when finished and return the vacuum to the upright position by pulling the handle forward until locked in place.
- 7 Once you have completed vacuuming, step on the POWER pedal again. Return the handle to the fully upright position by pushing the handle forward from the outlet. Turn the cord wrap hook to the upright position and loosely wrap the cord around it for storage.
- 8 To store after use, twist the upper cord wrap hook upright, then wrap the cord loosely around both cord wrap hooks.

HANDLE
RELEASE



NOTE: Always keep the brushroll free of carpet fiber, string, or hair build-up to maintain the brushroll belt. If the brushroll is entangled by any string or hair, stop using vacuum and clean the brush roller immediately (see maintenance section for detailed instructions).



ATTENTION: Do not allow the vacuum to remain in one spot for any length of time when the brush roller is turning. Damage to carpet may occur.



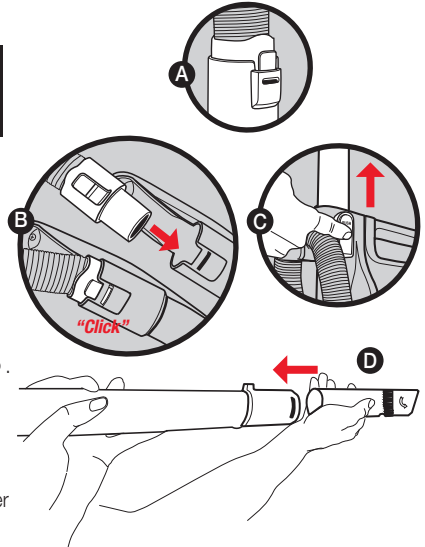
CAUTION: Moving parts! To reduce the risk of personal injury, DO NOT touch the brush roller in the floor nozzle when the vacuum is on. Contact with brush roller while it is rotating can cause injuries. Disconnect electrical supply before servicing or cleaning the vacuum cleaner. Use caution when operating near children.

OPERATING INSTRUCTIONS

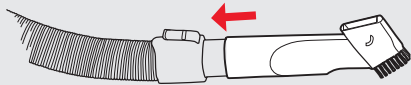
ACCESSORY ATTACHMENT

IMPORTANT: The brush roller in floor head continues to rotate when using the vacuum with accessories. DO NOT place vacuum on the deep pile carpet to avoid damage to carpet.

- 1 Place vacuum cleaner in the upright locked position.
- 2 Press the hose release latch button (A) and release the lower hose end from the lower hose connection.
- 3 Insert the hose end into the upper hose connection (B) as shown until you hear a "Click".
- 4 Press the wand release button (C) and lift up the wand.
- 5 Choose the desired accessory and insert into the wand (D).
- 6 Plug the power cord into a wall outlet. Press the POWER button to turn the vacuum cleaner on.
- 7 Once you have completed vacuuming, press the power button again. Remove the accessory and unplug the power cord plug from the outlet.



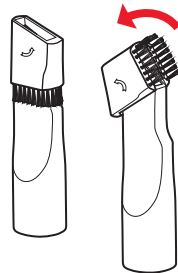
TIP: You can also choose to use your vacuum cleaner by inserting the 2-in-1 Crevice/Brush tool directly into the hose.



⚠ ATTENTION: Make sure to re-insert the hose end into the lower hose connection before using the vacuum in upright mode.

2-in-1 CREVICE/BRUSH COMBINATION TOOL:

- Use CREVICE position for narrow suction dirt and debris between cushions, in corners, and along wall and counter-top edges. Can be used on blinds, lamp shades, vents and other narrow areas.
- Rotate accessory tip counter-clockwise to use the BRUSH position on fabrics, curtains, and cushions. Avoid adding pressure to allow the brush to help with the suction on textiles. Always clean accessory before using on fabrics



⚠ ATTENTION: When using accessories, be careful not to overextend the hose when reaching to avoid tipping the vacuum over.

⚠ CAUTION: DO NOT pull the vacuum cleaner around the room by the hose. Property damage or personal injury could result.

⚠ CAUTION: Before assembling or disassembling unit and accessories, always ensure that the appliance has been unplugged from the wall outlet! Make sure that the appliance is switched off and unplugged.

CLEANING AND MAINTENANCE

EMPTYING DUST BIN

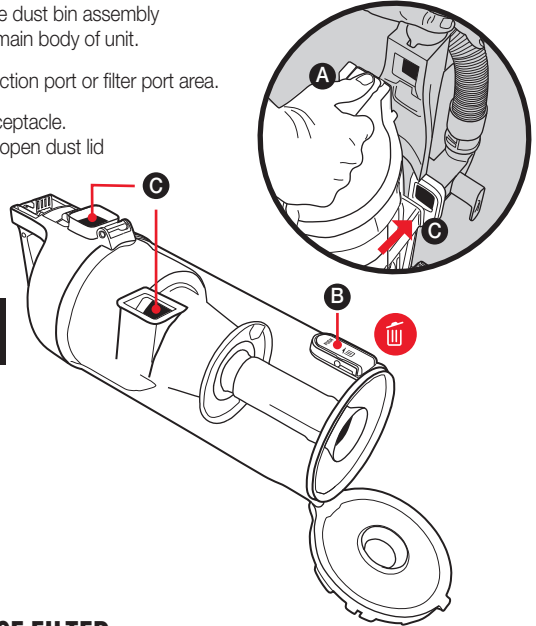
To achieve the best performance, empty the dust bin and clean the dust bin filter after every use. Always switch off and unplug the appliance from the ac power outlet before any maintenance or cleaning.

- Clean the outside of the appliance and inside the dust bin with a damp cloth. Dry thoroughly before use.
- Never immerse the appliance in the water.

⚠ If suction power seems to diminish, it may be time to empty the dust bin or clean or replace the filter.

- 1 **TO REMOVE THE DUST BIN**, press down on the dust bin assembly release button (A) and remove dust bin from the main body of unit.
- 2 Remove any clogs that might be located in the suction port or filter port area.
- 3 Position dust bin area of vacuum over a waste receptacle. Press down on the dust bin release button (B) to open dust lid and allow contents to drop into waste receptacle.
- 4 Reinstall and insert the dust bin into the slots (C) on the bottom of the main body. Then, press the dust bin into locked slot and click into place.

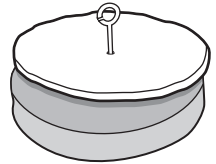
⚠ ATTENTION: NEVER OPERATE THE APPLIANCE WITHOUT DUST BIN FILTER IN PLACE.



CLEANING DUAL LAYER PERFORMANCE FILTER

The felt filter and primary filter are fixed together and located inside the dust bin lid. It is recommended to clean the felt filter and primary filter with cold water at least once a month. Check the felt filter and primary filter frequently and clean when dirty.

- 1 Remove the dust bin as outlined in the *Emptying Dust Bin* section above.
- 2 Hold the dust bin, pull the dust bin lid latch and open the lid.
- 3 Remove the felt filter and primary filter from the dust bin using the small plastic tab attached on the filter.
- 4 Use a soft brush to remove loose debris from the felt filter and primary filter. Then rinse with cold water. **DO NOT USE DETERGENT OR SOAP.** Rinse and gently squeeze dry the filters. Set filters aside and allow to air dry for 24 hours.
- 5 Place the primary filter and felt filter back into the dust bin lid and close the dust bin lid until you hear a click.
- 6 Reinstall the dust bin into the main body.



CLEANING AND MAINTENANCE

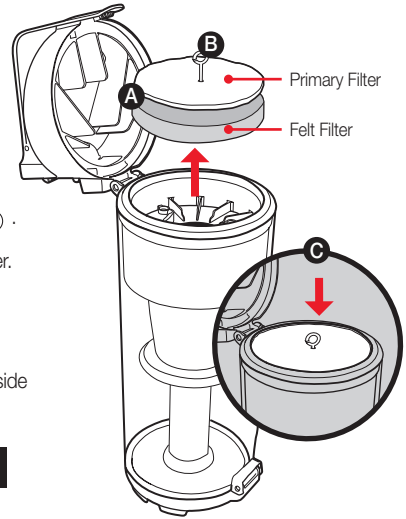
CLEANING THE PRE-FILTER

The pre-filter is located inside the dust bin. Check the pre-filter frequently and clean when dirty. Make sure the dust bin is free of any debris before opening.

- 1 Open the dust bin lid and remove dual layer felt filter and primary filter (A) .
- 2 Lift up the pre-filter from the dust bin using the plastic tab (B) .
- 3 Clean off hair and other debris wrapped around the pre-filter. Clean the pre-filter by gently tapping over a trash container. Tap on sides several times ensure best cleaning.
- 4 If necessary, rinse the pre-filter with cold water only. **DO NOT USE DETERGENT OR SOAP.** Set the pre-filter aside and allow to air dry for 24 hours. **DO NOT WASH IN THE DISHWASHER. DO NOT INSTALL DAMP.**

⚠ THE FILTERS MUST DRY COMPLETELY BEFORE REUSE

- 5 Reinstall the pre-filter into the dust bin (C) . Make sure the pre-filter is set into place as shown.

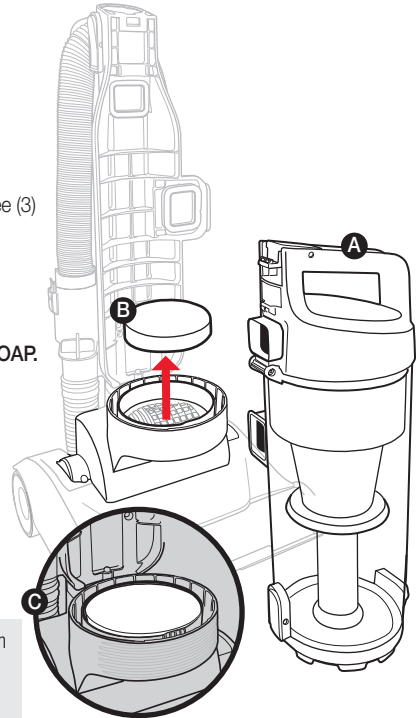


CLEANING THE FOAM FILTER

It is recommended to clean the foam filter with cold water every three (3) months. The foam filter is located on the top of the floor head.

- 1 Remove the dust bin assembly (A) completely.
- 2 Remove foam filter (B) from the floor head.
- 3 Wash with cold water only. **DO NOT USE DETERGENT OR SOAP.** Squeeze dry by hand and allow to air dry for 24 hours before putting back into vacuum cleaner.
- 4 Replace foam filter (C) into the vacuum cleaner.
- 5 Reinstall the dust bin (see instructions in *Emptying Dust Bin*).

NOTE: When the cleaning of the foam filter no longer restores vacuum cleaner suction to full power, or the foam filter is worn or broken, replace the filter to keep the vacuum's suction power optimal. To replace foam filter, contact service@proselect.com



CLEANING AND MAINTENANCE

CLEANING THE BRUSH ROLLER

Remove entangled hair around brush roller as needed.

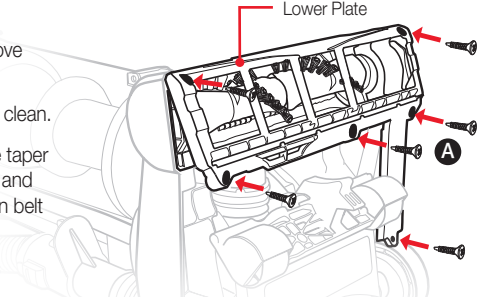


WARNING: Always unplug the power cord from the electrical outlet before performing maintenance to the vacuum cleaner.

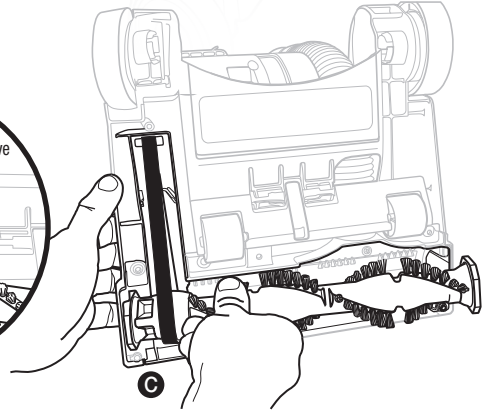
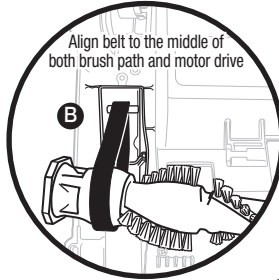
Phillips head screwdriver (not included)



- 1 Lay the vacuum down with the bottom side up.
- 2 Loosen the 6 screws (A) on the bottom cover. Remove the lower plate cover.
- 3 Hold the belt in place and REMOVE the brush roller, clean.
- 4 **REINSTALL BRUSH ROLLER:** Pay attention to the taper at both ends. Install the narrower part facing inward and pass one end through the belt (B) and center belt on belt path on the roller.
- 5 Align the end cap of belt side (C) of brush roller with the slot and insert it into place.
- 6 After the two ends are installed, manually roll the brush so the belt is in the middle of one end.
- 7 Install the cover, secure the 6 screws to complete.



CAUTION: Motor shaft may be hot.

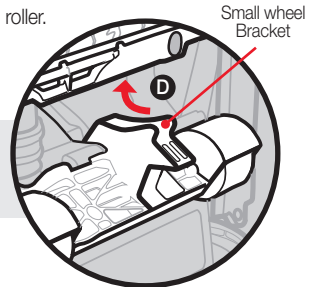


HOW TO REPLACE THE BELT

Replace the belt after approximately 100 hours of frequent use or if a burning rubber smell is detected, or if there is any breakage of the belt.

- 1 Lay the vacuum down with the bottom side up.
- 2 Loosen the 6 screws (A) on the bottom cover. Remove the lower plate cover and the roller brush.
- 3 Remove the belt, and attach the new belt.
- 4 Loop the new belt around motor shaft (B) and the belt path on the brush roller.
- 5 Install the roller brush and complete steps 4-7 above.

NOTE: Make sure the SMALL WHEEL BRACKET (D) is properly secured under the lower plate and cannot be lifted in front before screwing back the screws of the lower plate.



CLEANING AND MAINTENANCE

STORING YOUR VACUUM

When storing your vacuum and reduce the risk of shock, turn off and disconnect the power cord before performing any service or maintenance.

- 1 Ensure the hose is locked into place and the accessory is stored on-board.
- 2 Gather the cord and wrap it loosely around the upper and lower cord hooks. Lock the power cord plug onto the power cord.
- 3 Store the vacuum cleaner in a dry, indoor area, on the floor with the handle locked in the upright position.



Use dry cloth to clean the outside of the unit. Do not allow any kind of liquid to enter the unit. Wash the accessory in warm soapy water, rinse and air dry. Do not clean in dishwasher.

DO NOT RETURN TO STORE

Contact ePro Support for assistance with your vacuum.

**SCAN TO VISIT
SUPPORT PAGE**



For assistance with your product, please email service@eproselect.com or visit <https://www.eproselect.com/dirtdevil-support>



Give us a call!

1-877-858-EPRO (3776)

The Dirt Devil logo and DIRT DEVIL are registered trademarks of Techtronic Cordless GP and used under license.

TROUBLESHOOTING

OBSERVATION	POSSIBLE CAUSE	SOLUTION
Vacuum not powering on	<ul style="list-style-type: none"> • Power adapter not plugged into wall outlet securely • Check if the POWER switch is not ON • No power to electric outlet or plug not fully inserted 	<ul style="list-style-type: none"> • Make sure the unit's power cable is securely plugged into the wall outlet. • Ensure unit power button is switched on • Plug the unit into a different outlet
Weak suction power	<ul style="list-style-type: none"> • Vacuum is clogged or damaged • Dust bin may be full • Filter may be dirty and clogged 	<ul style="list-style-type: none"> • Immediately remove the obstruction • Turn unit off and unplug the appliance from the wall outlet and empty the dust bin • Clean the dust bin filter
Overheating	<ul style="list-style-type: none"> • Vacuum floor head or hose may have blockage • Filter may be full • Airflow restricted with accessories in use 	<ul style="list-style-type: none"> • Turn unit off, unplug a, and let cool for 50 minutes • Power off to inspect dust bin, accessory tools, and air intake for any obstructions; remove if found.
Dust escapes from vacuum	<ul style="list-style-type: none"> • Dust bin may be full • Dust bin and filter may not be installed properly • Filter is not installed in the dust bin 	<ul style="list-style-type: none"> • Empty and clean the dust bin • Re-install the dust bin properly • Install the filter in the dust bin
Brush roller does not rotate	<ul style="list-style-type: none"> • The brushroll may be jammed • The brushroll may not be installed properly • The motor belt may be worn out 	<ul style="list-style-type: none"> • Remove brush roller according to instructions and clean it • Remove the brush roller and reinstall (refer to installation instructions on page 10) • Check belt routing (refer to page 11) • Contact ePro Customer Support (see below)



For safety reasons, this vacuum is designed to power off if the motor overheats. If this occurs, please switch the power off and unplug it to allow the motor to cool down before using again.

PRODUCT DIMENSIONS (WDH):

- Handle and floor head assembled:
10.6" x 7.1" x 43.2"

TECHNICAL SPECIFICATIONS

Power Consumption: **960W**
 Vacuum Capacity: **700ml**
 Sound level: **85dBA**
 Motor Rated voltage: **AC 120V**
 Cord Length: **19.5 feet**

TERMS AND CONDITIONS

1-YEAR LIMITED END USER WARRANTY

ePro USA LLC., (the "Company") warrants that their products (the "Product") are free of defects in material and workmanship for a period of 1-YEAR (the "Warranty Period") from the date of purchase by end user. In the event that the Product qualifies for coverage under this warranty, the Company at its option and at no charge may either repair or replace the Product (not including, shipping, handling, delivery or installation) with an identical product or product having similar features and functionality as determined by the Company. The Company does not warranty the installation, maintenance, or service of its Product. The Company is not responsible for ancillary equipment not supplied by the Company, which is attached to or used in connection with the Company's Product, or for the operation of the Product with any ancillary equipment, and all such equipment and operation of such equipment with the Product, is expressly excluded from this limited warranty. Furthermore, the Company shall not be responsible for any damage to the Product resulting from the use or operation of the ancillary equipment not furnished by the Company for use with the Product.

The Company extends this limited warranty only to the original end-user. This limited warranty and the remedies hereunder are limited to Products properly used, maintained, stored, installed and used for their intended purpose and use only, in accordance with the Company instructions. This warranty shall not apply to Product installed, operated or maintained in or under abnormal conditions. This warranty is not applicable to any Product, which is not operated and/or installed in accordance with the Company's specifications and or industry practices and standards. This warranty does not extend to any battery power supply included in/with the Product.

This warranty also does not extend to the purchase of opened, used, repaired, repackaged and/or resealed products, including but not limited to sale of such products on Internet auctions sites and/or sales of such products by surplus, bulk resellers, or any individual unauthorized resellers.

Any and all warranties or guarantees shall immediately cease and terminate as to any products or parts thereof which are repaired, replaced, altered, or modified, without the prior express and written permission of the Company.

This warranty sets forth all of the Company's responsibilities for the Product.

THIS WARRANTY IS GIVEN IN LIEU OF ALL OTHER EXPRESS WARRANTIES. IMPLIED WARRANTIES, STATUTORY OR OTHERWISE, INCLUDING BUT NOT LIMITED TO ANY IMPLIED WARRANTIES OF MERCHANTABILITY OR FITNESS FOR A PARTICULAR PURPOSE, ARE LIMITED TO THE DURATION OF THIS LIMITED WARRANTY. IN NO EVENT, INCLUDING WITHOUT LIMITATION, IN CONTRACT, TORT, STRICT LIABILITY OR WARRANTY, SHALL THE COMPANY BE LIABLE TO THE PURCHASER OR TO ANY THIRD PARTY, FOR ANY DAMAGES OR FOR ANY LOSS OF USE, LOSS OF TIME, LOSS OF LIFE, INCONVENIENCE, COMMERCIAL LOSS, LOST PROFITS OR SAVINGS OR INCIDENTAL, CONSEQUENTIAL OR SPECIAL DAMAGES ARISING OUT OF THE USE OR INABILITY TO USE SUCH PRODUCT. TO THE FULL EXTENT THAT SUCH MAY BE DISCLAIMED BY LAW, COMPANY'S SOLE LIABILITY SHALL BE TO REPLACE OR REPAIR THE PRODUCT.



WARNING: This product can expose you to chemicals including Lead, which is known to the State of California to cause reproductive harm. For more information go to www.P65Warnings.ca.gov



Intertek
4004028

CONFORMS TO UL STD.
1017

CONFORMS TO CSA STD.
C22.2 #243

**SCAN TO VISIT
SUPPORT PAGE**



For More Information

For assistance with your product, please email
service@eproselect.com, call **1-877-858-EPRO (3776)**
or visit **<https://www.euproselect.com/dirtdevil-support>**

PLEASE RECYCLE Facilities may not exist in your area.



MADE IN CHINA

Distributed by ePro USA LLC. Austin, TX ©2024 ePro USA LLC. All rights reserved.

The Dirt Devil logo and DIRT DEVIL are registered trademarks
of Techtronic Cordless GP and used under license.