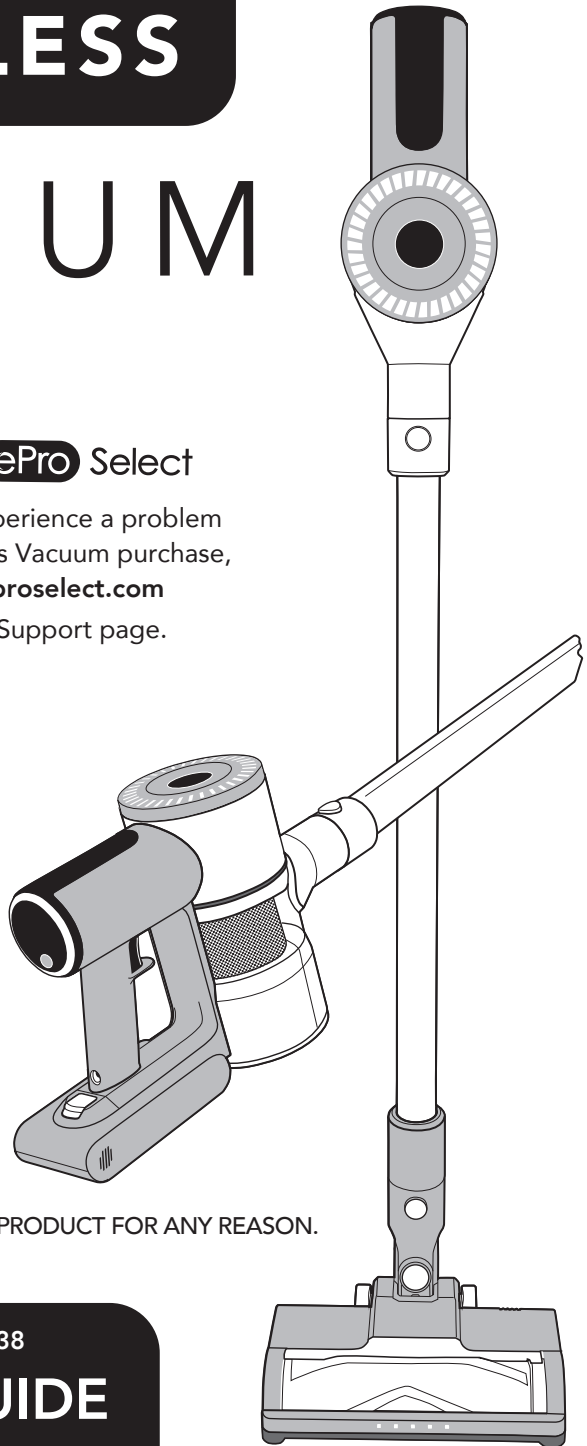


CORDLESS VACUUM

Thank you for choosing **ePro Select**

If you have a question, or experience a problem with your ePro Select Cordless Vacuum purchase, please email service@eproselect.com or visit eProSelect.com Support page.



PLEASE READ BEFORE RETURNING THIS PRODUCT FOR ANY REASON.

Model EV2738

USER GUIDE

IMPORTANT SAFETY INSTRUCTIONS FOR HOUSEHOLD USE ONLY

READ CAREFULLY BEFORE USE – SAVE THESE INSTRUCTIONS

⚠ WARNING: To reduce risk of injury, fire, electrical shock, or property damage from improper use of this appliance, carefully follow these instructions. This unit contains electrical connections and moving parts that could present risk if instructions are not followed.

PLEASE READ THESE INSTRUCTIONS AND WARNINGS CAREFULLY AND KEEP THEM FOR REFERENCE:

1. There are **NO** serviceable parts. **DO NOT** attempt to make your own repairs.
2. **DO NOT** use the hand vacuum on any liquids.
3. **DO NOT** immerse any parts in water or other liquids.
4. **DO NOT** use if vacuum, charger, or power cord is damaged.
5. Inspect vacuum, charging dock and power cord for any damage before use to avoid fire, explosion, or injury.
6. **DO NOT** use damaged vacuum or charging dock.
7. **DO NOT** use outdoors or on wet surfaces. Use only on dry surfaces.
8. If vacuum cleaner is not working, or has been dropped, damaged, left outdoors, or immersed in water, **DO NOT use it**.
9. **DO NOT** handle charger or vacuum cleaner if hands are wet.
10. **DO NOT** leave vacuum cleaner powered on when not in use or unattended
11. Keep the hand vacuum, power cord and charger away from heated surfaces.
12. Turn off vacuum before connecting to the charging dock.
13. Use only the charging stand and power supply provided with this product.
14. Always use the charging dock on a flat and stable surface.
15. **DO NOT** incinerate this appliance as lithium-ion battery may explode and cause a fire.
16. **DO NOT** vacuum hard or sharp objects such as glass, nails, screws, or coins that could damage the vacuum cleaner.
17. **DO NOT** vacuum sawdust, drywall dust, ashes, or embers.
18. **DO NOT** vacuum objects that are smoking or burning, such as hot coals, cigarette or cigar butts, or matches.
19. **DO NOT** vacuum toxic chemicals such as chlorine bleach, ammonia, or drain cleaner.
20. **DO NOT** use the vacuum in an enclosed space where toxic or combustible vapors are present.
21. **DO NOT** immerse vacuum cleaner in water or other liquids.
22. Use extra care when cleaning on stairs.
23. **DO NOT** stretch or strain the power cord. Keep wall mount and power cord away from traffic areas and where it will not be stepped on or tripped over. Do not run over cord with the vacuum or close a door on it.
24. An extension cord is not recommended with this appliance.
25. Unplug the charging cord when not in use for extended periods of time.
26. Only use the power charger and removable lithium-ion battery pack provided with this product. Only replace the battery with one specified for this unit. Other types of batteries may not be compatible and may cause damage or injury.

GENERAL CAUTIONS

27. **DO NOT** carry by the cord or disconnect from an outlet improperly.
28. Always grasp the plug at the power outlet and pull it straight out to disconnect.
29. Use this product only as directed in this manual.
30. Always turn off the vacuum cleaner before picking it up or carrying it, attaching, or detaching the charger, dust bin, filter, or accessory tools.
31. **DO NOT** place any objects into openings or obstructing openings.
32. **DO NOT** use if any opening is blocked; keep free of dust, lint, hair, or anything that could restrict airflow.
33. **KEEP OUT OF REACH OF CHILDREN.** This vacuum cleaner is not a toy, and must not be played with, cleaned, or operated by children or persons with reduced physical or mental capabilities.
34. **DO NOT** operate without the dust bin and filter installed.
35. Keep the nozzle away from face, hair, fingers, or loose jewelry and clothing.
36. Only use the attachments provided with this product.
37. **DO NOT** charge at temperatures below 50°F (10°C) or above 104°F (40°C). Charging improperly or at temperatures outside of the specified range may damage the battery and increase the risk of fire.
38. Store the appliance indoors. **DO NOT** use or store it below 37.4°F (3°C). The appliance must be at room temperature before operating it.
39. Do not spray or apply any fragrances to the filter. Some fragrances contain chemicals that are flammable and can cause fire.

DUST BIN/FILTERS/ACCESSORIES BEFORE USING:

40. Make sure the filter is completely dry after routine cleaning.
41. Make sure the dust bin and filter are reinstalled after routine maintenance.
42. Keep accessories free of blockages.
43. Clean filter periodically to keep the vacuum running efficiently every time.
44. Always turn OFF the machine before connecting or disconnecting the motorized brush bar or mini motorized brush bar.

BATTERY CAUTION

The Lithium Ion Battery included with this product is sealed and under normal circumstances does not pose any safety concerns. In the unlikely event that the battery pack becomes damaged causing liquid to leak, **DO NOT touch the liquid and observe the following precautions:**

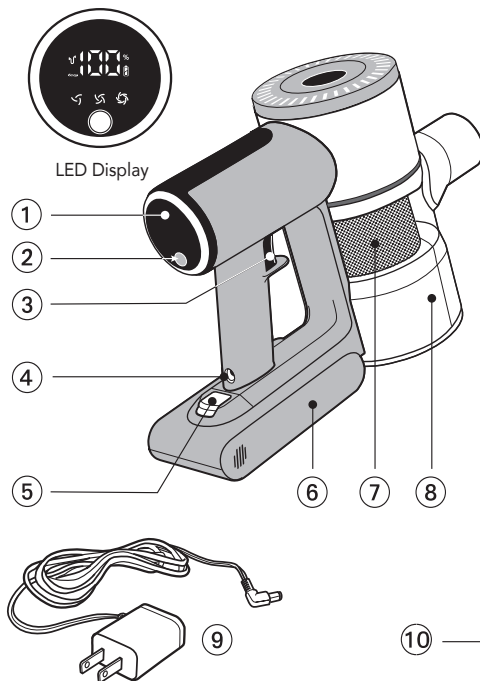
- Skin contact can cause irritation. Wash with soap and water
- Inhalation can cause respiratory irritation. Breathe fresh air and seek medical advice.
- Eye contact can cause irritation. Flush eyes with fresh water for 15 minutes. Seek medical attention.
- Wear gloves to dispose leaking battery following local ordinances and regulations.

INTRODUCTION

This ePro Select cord-free and powerful vacuum system features an intelligent digital motor with LED display, up to 135,000 rpm cycle time and a fast charging, removable Li-Ion battery pack. It's lightweight and versatile and easily converts from whole home cordless stick vacuum to handheld power vac for spot cleaning with 6 BONUS accessory tools!

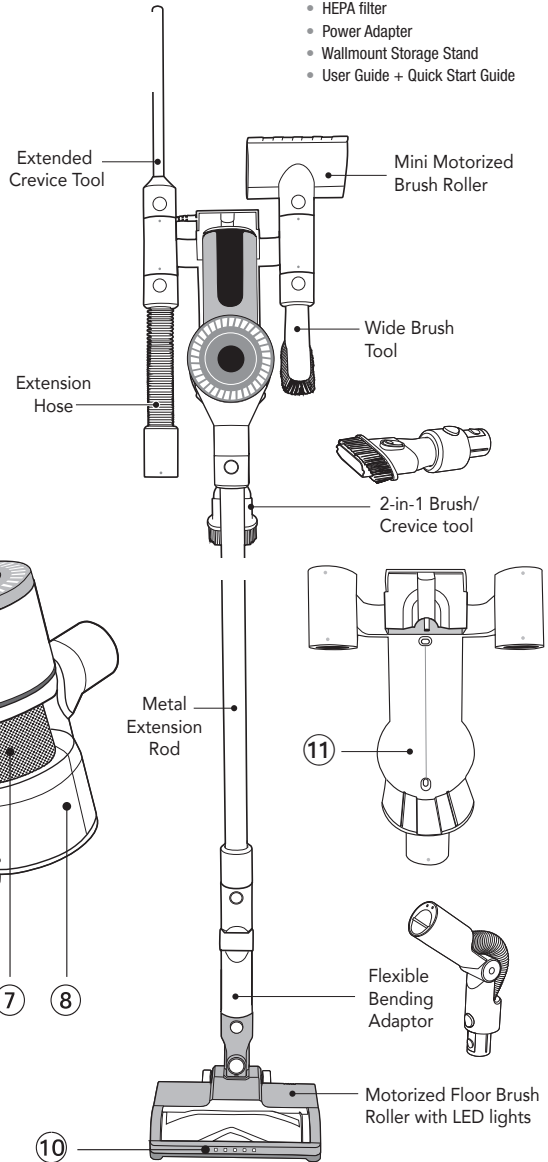
Location of Controls

- ① LED Display
- ② Speed Selection Button
- ③ ON/OFF Power Trigger
- ④ Battery Charging Port
- ⑤ Battery Release Button
- ⑥ Rechargeable/Replaceable Battery
- ⑦ HEPA Filter Assembly
- ⑧ Dust Bin
- ⑨ AC Power Cable (can be used on stand or directly on hand vac)
- ⑩ LED Lights on Floor Brush Roller
- ⑪ Wallmount Storage Stand



What's Inside

- 3-in-1 Cordless Vacuum with digital display
- Rechargeable/Replaceable Battery
- 2-in-1 Brush/Crevise Tool
- Extended Crevice Tool
- Mini Motorized Brush Roller
- Extension Hose
- Flexible Bending Adapter
- Wide Brush Tool
- Motorized Brush Roller with LED Lights
- HEPA filter
- Power Adapter
- Wallmount Storage Stand
- User Guide + Quick Start Guide



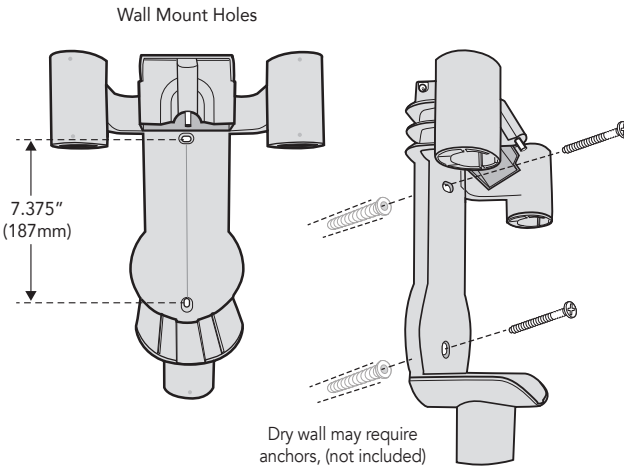
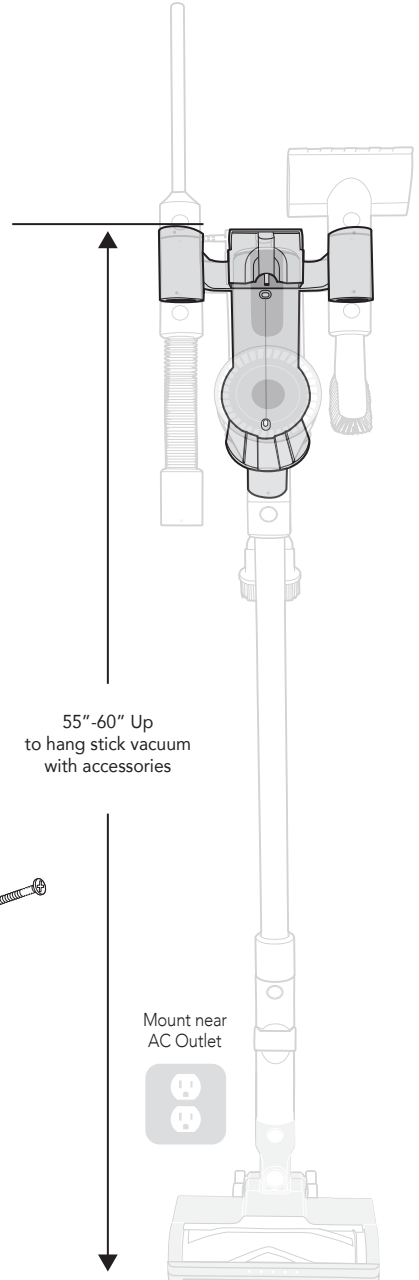
WALL MOUNT STORAGE BRACKET INSTRUCTIONS

The ePro Select Cordless Vacuum System comes with 6 Bonus Accessory Tools and a convenient wall-mount storage stand.

- ① Find a wall space location close to an electrical outlet without any obstructions such as windows or shelving.
- ② With the vacuum connected to the Motorized Brush Roller and Extension Rod and Flexible Bend Tool, position the assembled vacuum against the wall where it will be stored and mark the holes of the wall mount bracket at the right height to store the vacuum in the upright position.
- ③ Use a Phillips screwdriver (not included) to install the wall mount bracket with the screws provided. Make sure to mark mounting holes using the wall mounting holes on bracket.
- ④ Use the vertical storage pipes to the left, right and bottom of wall mount bracket to snap in 5 accessory tools.

NOTE: For models with additional bonus tools, connect smaller attachments to the extension hose and the bendable adapter to keep all parts together and organized.

- ⑤ Set the assembled stick vacuum in the middle of the wall-mounted storage bracket and plug in charging adapter with the battery installed into a nearby power outlet. The detachable battery can also be charged on a flat surface near an outlet when removed from the vacuum.

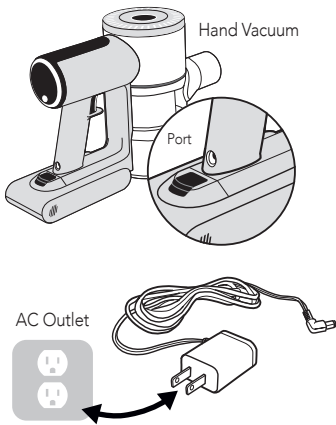


BATTERY CHARGING

Before first use the detachable lithium-ion battery must be fully charged. It can be charged either installed or uninstalled by connecting the power cord to the recharging port and a standard electrical outlet.

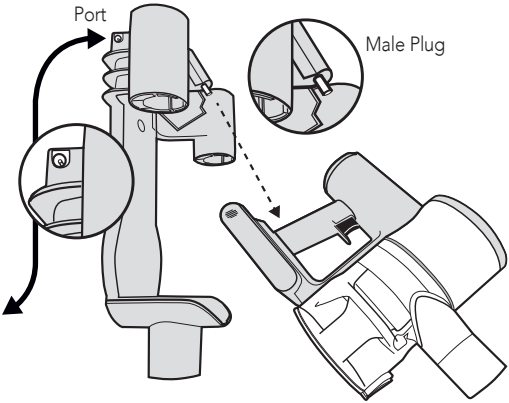
Direct Connection

If wall-mount is not used, place hand vacuum on a flat, stable surface. Connect the power cord directly to charging port located on the hand grip.



Wall Mount Storage Station

If using the **wall-mount bracket** (recommended), follow instructions for installation. Plug in assembled product while stored in wall mount. Unplug when not in use for extended periods of time.






ALLOW BATTERY PACK UP TO 3.5 HOURS TO FULLY RECHARGE.

NOTE: During first use, run the battery all the way down to properly condition it, then charge fully. It takes approximately 3.5 hours to charge battery completely.

Convenient Charging & Storage

The wall-mounted storage dock neatly holds the cord-free vacuum with interchangeable accessories and allows mounted plug-in charging in less than 3.5 hours installed or removed from the unit.

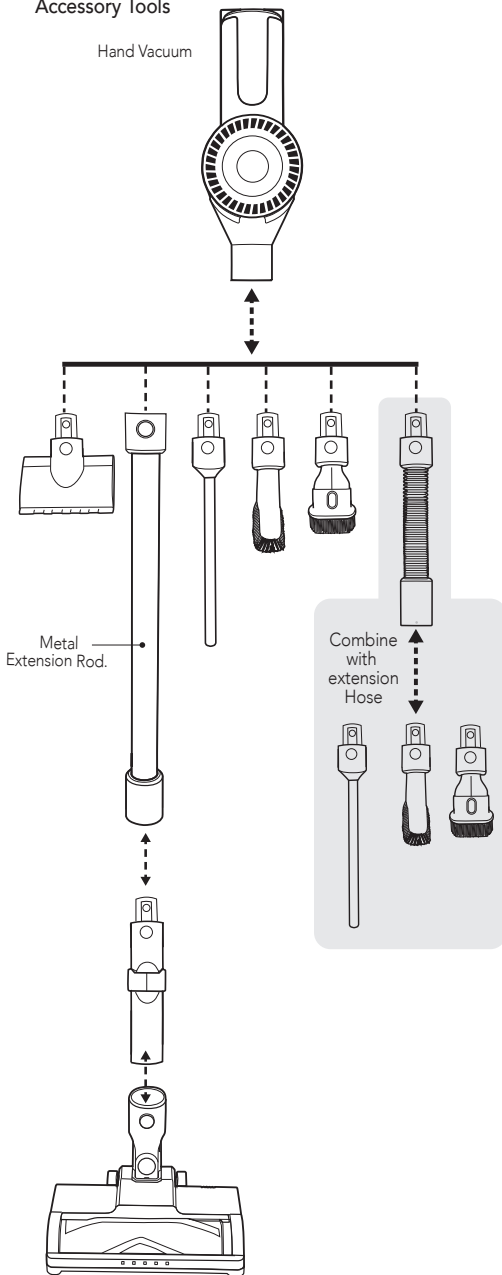
Rechargeable Battery Estimated Run Times

	ECO Mode	Ideal for floors and carpeting Whole Room/Office	Up to 60 Minutes Run Time/Charge
	MEDIUM Mode	Ideal for small room, cushions, drapes, and car interiors	Up to 25 Minutes Run Time/Charge
	TURBO Mode	Ideal for quick pick-ups and bursts of power for small messes	Up to 10 Minutes Run Time/Charge

**Run Times are estimates and can vary by accessory tool in use, filter cleanliness, and other factors.*

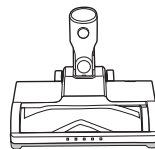
ASSEMBLY

The main configuration for the ePro Select Cordless Vacuum is for cleaning floor surfaces and higher vertical surfaces that are hard-to-reach. Start with the Metal Extension Rod and combine with the following Accessory Tools



Floor to Ceiling

Attach the wider **Motorized Roller Brush with LED headlights** for hard floors, area rugs and carpeting.



Attach the **Flexible Bending Adaptor** to reach under sofas, chairs and around furniture.



Attach the **Long Crevice Nozzle** for corners and tight spots.



Attach the **Wide Nozzle Brush** for gentle cleaning of curtains, draperies, and blinds.



Attach the **Mini Motorized Roller Brush** for stairs and narrower pathways.



Attach the **2-in-1 Brush/Crevice Tool** for lamp shades, bookshelves, and electronics.



Quick Pick Ups, Small Areas

Convert the stick vacuum to a handheld vacuum by removing the **Metal Extension Rod**. Choose the right Accessory Tool for the job.

Attach the **Long Crevice Nozzle** for deep cleaning between car seats, sofa cushions, and highchair.

Attach the **Wide Nozzle Brush** for bedding, fabrics, and windowsills.

Attach the **Mini Motorized Roller Brush** for stairs and benches.

Attach the **2-in-1 Brush/Crevice Tool** for dressers, shelves, and keyboards.

Attach the **Flexible Hose plus the Crevice or Brush Tool** for deep-cleaning car interiors, under seats, and in between.

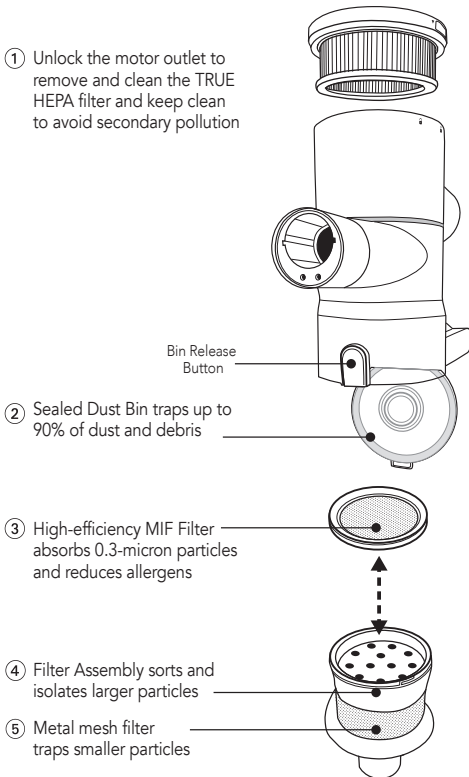
CLEANING AND MAINTENANCE

With the power off, press the 1-touch button to open the dust bin and empty debris into a garbage can. Follow instructions below for emptying and cleaning.

NOTE: Do not wash any parts of the vacuum or accessories in dishwasher.

Multi-Stage Filtration

The ePro Select Cordless Vacuum comes with a Multi-Stage filtration system.



- 1 Unlock the motor outlet to remove and clean the TRUE HEPA filter and keep clean to avoid secondary pollution

- 2 Sealed Dust Bin traps up to 90% of dust and debris

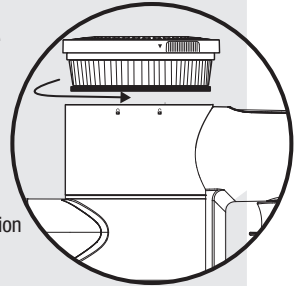
- 3 High-efficiency MIF Filter absorbs 0.3-micron particles and reduces allergens

- 4 Filter Assembly sorts and isolates larger particles

- 5 Metal mesh filter traps smaller particles

Cleaning Multi-Stage Filter Assembly

- LOCK position
- UNLOCK position



- 1 Turn **Multi-Stage Filter Assembly** counter-clockwise until arrow aligns with the UNLOCK position.
- 2 Pull up to remove TRUE HEPA filter and remove debris as needed.
- 3 Wash TRUE HEPA filter if necessary.
- 4 Insert TRUE HEPA filter back into Multi-Stage filter assembly
- 5 Make sure TRUE HEPA filter is secure (by turning Clockwise and aligning arrow to the LOCK position) before closing dust bin door.

NOTE: make sure all components within Multi-Stage Filter Assembly are thoroughly dry before reassembling.

Emptying Dust Bin

- 1 Hold the hand vacuum over a trash container.
- 2 Then, press the BIN RELEASE button to open bin. Carefully empty contents into a trash container. If necessary, clean Multi-Stage Filter Assembly.
- 3 Make sure Multi-Stage Filter Assembly is secure (turning the entire assembly clockwise) before closing dust bin door (hearing a "click" to lock door).

LITHIUM-ION BATTERY PACK MAINTENANCE & REPLACEMENT

BATTERY PROTECTION FEATURES

Lithium-ion batteries deliver fade free power for their entire run time. Lithium-ion products will not gradually lose power due to decreasing battery charge. Instead, power from the battery pack will drop from full to zero once the full charge has been drained from the battery. Once this happens, recharging of the battery is required. It is not necessary to drain the battery pack completely before recharging.

Lithium-ion battery packs are designed with features that protect the lithium-ion cells and maximize battery life. If your vacuum stops during use, release the trigger to reset and resume operation. If the tool still does not work, the battery needs to be recharged.

For battery pack storage longer than 30 days:

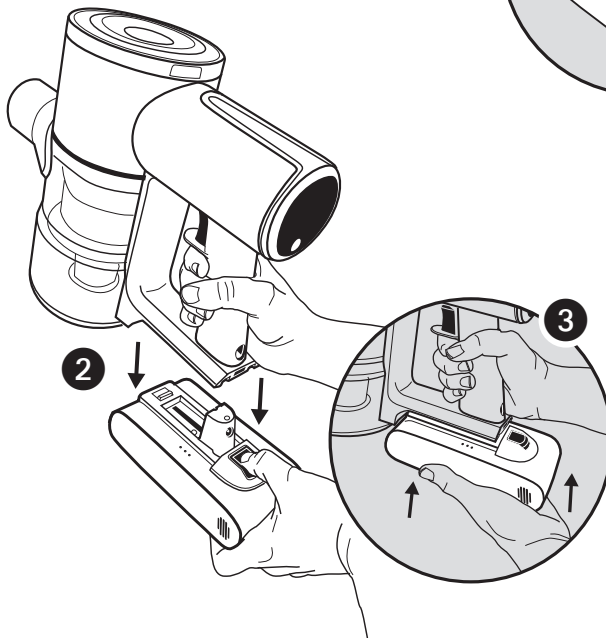
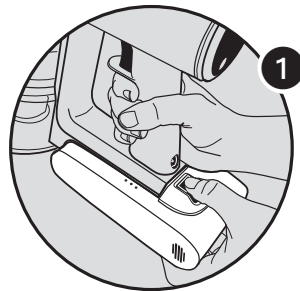
- Store the battery pack where the temperature is below 80° F and away from moisture.
- Store battery packs in a 30%-50% charged condition.
- Every six months of storage, charge the pack as normal.

DETACHABLE/ REPLACEABLE BATTERY

These batteries have been designed to provide maximum trouble-free life. However, like all batteries, they will eventually wear out. Replacement batteries are available for purchase on [Samsclub.com](https://www.samsclub.com).

REMOVING/INSTALLING OF BATTERY:

- ① While pressing down on the button
- ② Pull in a downward motion to detach battery
- ③ Hold hand vacuum grip and align the raised end of the battery with charging port into the handle grip until you hear a clicking sound.



BATTERY REMOVAL & DISPOSAL

This cordless rechargeable hand vacuum includes a Lithium-Ion battery. You can not dispose of this product with household waste. It must be disposed of safely at a hazardous waste collection site, recycling facility or an electronic retailer that recycles. Check your local or state laws for proper disposal procedures.

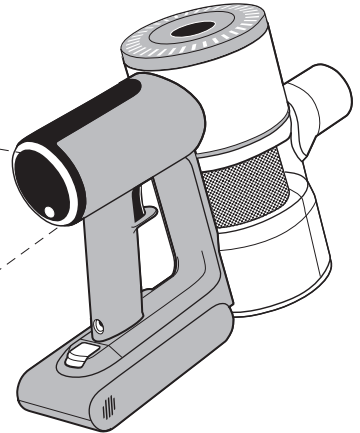
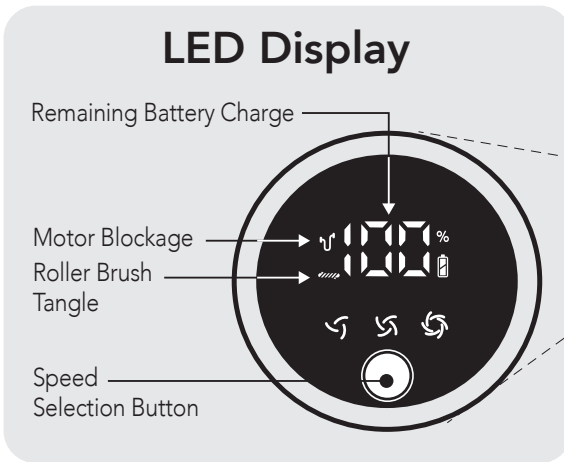
OPERATIONAL USE

Press the **Power Trigger** to start and stop cleaning. It automatically defaults to MEDIUM Suction.

Use the **SELECTION** button to choose from 3 Suction Modes: ECO, MEDIUM, TURBO.

- **ECO** for larger rooms and surface areas for up to 60 minutes run time.
- **MEDIUM** for smaller rooms and surface areas or an entire vehicle interior for up to 25 minutes run time.
- **TURBO** for quick pick-ups or deep cleaning for up to 10 minutes run time.

During operational use, the digital display will indicate remaining battery charge percentage, ECO/MEDIUM/TURBO Speed, and any motor blocking or roller brush tangles impacting performance.



TROUBLESHOOTING

OBSERVATION	POSSIBLE CAUSE	SOLUTION
No power or vacuum does not charge	<ul style="list-style-type: none"> • Power adapter not plugged into wall outlet securely • Electric wall outlet does not have power • Unit not placed into stand correctly 	<ul style="list-style-type: none"> • Make sure the unit's power cable is securely plugged into the wall outlet • Plug the unit into a different outlet • Make sure charging receptacles on unit touch charging receptacles on charging stand
Hand Vacuum has diminished suction	<ul style="list-style-type: none"> • Check if the dust bin is full • The air inflow may be blocked • Recharge Unit 	<ul style="list-style-type: none"> • Turn unit off and unplug the appliance from the wall outlet and empty the dust bin • Unplug and remove the nozzle. Check the extension pipe, remove any blockage • Make sure unit is fully charged
Dust is coming out of the vacuum cleaner	<ul style="list-style-type: none"> • Check if the dust bin is full • Check that the dust bin is properly fitted to the main body • Check if the dust bin filter is in the dust bin 	<ul style="list-style-type: none"> • Empty and clean dust bin • Refit the dust bin to the main body • Install the filter in the dust bin
Battery no longer charges	<ul style="list-style-type: none"> • The removable rechargeable battery has a long use life but will eventually lose it ability to recharge 	<ul style="list-style-type: none"> • Contact service@eProSelect.com to purchase a replacement battery pack

Technical Specifications

Battery Type: **Lithium-Ion battery**
 Voltage/Capacity: **25.9V / 2500mAh**
 Dust Bin Capacity: **Approx. 0.5L (max 0.75L)**
 Operating Time: **Approx. 10-60 minutes**
 Suction Power: **27,000 Pa**
 Sound level: **approx. 83dBA**
 Charging Time: **3.5 hours**
 Power: **350W**
 Input: **30V --- 800mAh**
 Motor Rated Voltage: **AC 120V**

LOW Speed Mode: Operating time is 60 ± 2 minutes when fully charged

MEDIUM Speed Mode: Operating time is 25 ± 2 minutes when fully charged

HIGH Speed Mode: Operating time is 10 ± 2 minutes when fully charged

Assembled Stick Vacuum
 Dimensions (WDH):
10.4" x 9.9" x 47.1"
(263 x 251 x 1196mm)

Hand Held Dimensions (WDH):
13.9" x 4.76" x 8.7"
(353 x 121 x 221mm)

TERMS AND CONDITIONS

2-YEAR Limited End User Warranty

ePro USA, LLC., (the "Company") warrants that their products (the "Product") are free of defects in material and workmanship for a period of 2-YEAR (the "Warranty Period") from the date of purchase by end user. In the event that the Product qualifies for coverage under this warranty, the Company at its option and at no charge may either repair or replace the Product (not including, shipping, handling, delivery or installation) with an identical product or product having similar features and functionality as determined by the Company. The Company does not warranty the installation, maintenance, or service of its Product. The Company is not responsible for ancillary equipment not supplied by the Company, which is attached to or used in connection with the Company's Product, or for the operation of the Product with any ancillary equipment, and all such equipment and operation of such equipment with the Product, is expressly excluded from this limited warranty. Furthermore, the Company shall not be responsible for any damage to the Product resulting from the use or operation of the ancillary equipment not furnished by the Company for use with the Product.

The Company extends this limited warranty only to the original end-user. This limited warranty and the remedies hereunder are limited to Products properly used, maintained, stored, installed and used for their intended purpose and use only, in accordance with the Company instructions. This warranty shall not apply to Product installed, operated or maintained in or under abnormal conditions. This warranty is not applicable to any Product, which is not operated and/or installed in accordance with the Company's specifications and or industry practices and standards. This warranty does not extend to any battery power supply included in/with the Product.

This warranty also does not extend to the purchase of opened, used, repaired, repackaged and/or resealed products, including but not limited to sale of such products on Internet auctions sites and/or sales of such products by surplus, bulk resellers, or any individual unauthorized resellers.

Any and all warranties or guarantees shall immediately cease and terminate as to any products or parts thereof which are repaired, replaced, altered, or modified, without the prior express and written permission of the Company.

This warranty sets forth all of the Company's responsibilities for the Product.

THIS WARRANTY IS GIVEN IN LIEU OF ALL OTHER EXPRESS WARRANTIES. IMPLIED WARRANTIES, STATUTORY OR OTHERWISE, INCLUDING BUT NOT LIMITED TO ANY IMPLIED WARRANTIES OF MERCHANTABILITY OR FITNESS FOR A PARTICULAR PURPOSE, ARE LIMITED TO THE DURATION OF THIS LIMITED WARRANTY. IN NO EVENT, INCLUDING WITHOUT LIMITATION, IN CONTRACT, TORT, STRICT LIABILITY OR WARRANTY, SHALL THE COMPANY BE LIABLE TO THE PURCHASER OR TO ANY THIRD PARTY, FOR ANY DAMAGES OR FOR ANY LOSS OF USE, LOSS OF TIME, LOSS OF LIFE, INCONVENIENCE, COMMERCIAL LOSS, LOST PROFITS OR SAVINGS OR INCIDENTAL, CONSEQUENTIAL OR SPECIAL DAMAGES ARISING OUT OF THE USE OR INABILITY TO USE SUCH PRODUCT. TO THE FULL EXTENT THAT SUCH MAY BE DISCLAIMED BY LAW, COMPANY'S SOLE LIABILITY SHALL BE TO REPLACE OR REPAIR THE PRODUCT.



WARNING: This product can expose you to chemicals including Lead, which is known to the State of California to cause reproductive harm. For more information go to www.P65Warnings.ca.gov

This device complies with part 15 of the FCC Rules. Operation is subject to the following two conditions: (1) This device may not cause harmful interference, and (2) this device must accept any interference received, including interference that may cause undesired operation.

If you have any questions or for further support, please email us at service@eproselect.com



NO FIRE



NO TRASH CAN



NO WATER



NO MOIST HANDS





For assistance with your product,
please email service@eproselect.com
or visit our website eProSelect.com

MADE IN CHINA

Distributed by ePro USA LLC. Austin, TX ©2023 ePro USA LLC. All rights reserved.



PLEASE RECYCLE

Facilities may not exist in your area.