

CORDLESS

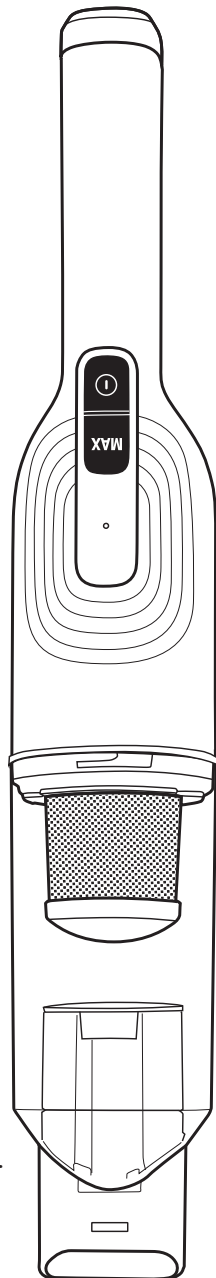
HAND VACUUM

Thank you for choosing **ePro Select**
If you have a question, or experience a problem
with your ePro Select Hand Vacuum purchase,
please email service@eproselect.com
or visit eProSelect.com Support page.

PLEASE READ BEFORE RETURNING THIS PRODUCT FOR ANY REASON.

Model EV1180

USER GUIDE



IMPORTANT SAFETY INSTRUCTIONS FOR HOUSEHOLD USE ONLY

READ CAREFULLY BEFORE USE – SAVE THESE INSTRUCTIONS

⚠ WARNING: To reduce risk of injury, fire, electrical shock, or property damage from improper use of this appliance, carefully follow these instructions. This unit contains electrical connections and moving parts that could present risk if instructions are not followed.

PLEASE READ THESE INSTRUCTIONS AND WARNINGS CAREFULLY AND KEEP THEM FOR REFERENCE:

1. There are **NO** serviceable parts. **DO NOT** attempt to make your own repairs.
2. **DO NOT** use the hand vacuum on any liquids.
3. **DO NOT** immerse any parts in water or other liquids.
4. **DO NOT** use if vacuum, charger, or power cord is damaged.
5. Inspect vacuum, charging dock and power cord for any damage before use to avoid fire, explosion, or injury.
6. **DO NOT** use damaged vacuum or charging dock.
7. **DO NOT** use outdoors or on wet surfaces. Use only on dry surfaces.
8. If vacuum cleaner is not working, or has been dropped, damaged, left outdoors, or immersed in water, **DO NOT use it**.
9. **DO NOT** handle charger or vacuum cleaner if hands are wet.
10. **DO NOT** leave vacuum cleaner powered on when not in use or unattended
11. **Keep the hand vacuum, power cord and charger away from heated surfaces.**
12. Turn off vacuum before connecting to the charging dock.
13. Use only the charging stand and power supply provided with this product.
14. Always use the charging dock on a flat and stable surface.
15. **DO NOT** incinerate this appliance as lithium-ion battery may explode and cause a fire.
16. **DO NOT** vacuum hard or sharp objects such as glass, nails, screws, or coins that could damage the vacuum cleaner.
17. **DO NOT** vacuum sawdust, drywall dust, ashes, or embers.
18. **DO NOT** vacuum objects that are smoking or burning, such as hot coals, cigarette or cigar butts, or matches.
19. **DO NOT** vacuum toxic chemicals such as chlorine bleach, ammonia, or drain cleaner.
20. **DO NOT** use the vacuum in an enclosed space where toxic or combustible vapors are present.
21. **DO NOT** immerse vacuum cleaner in water or other liquids.
22. Use extra care when cleaning on stairs.

GENERAL CAUTIONS

23. **DO NOT** carry the charger by the cord or disconnect from an outlet improperly.
24. Always grasp the plug at the power outlet and pull it straight out to disconnect.
25. Use this product only as directed in this manual.
26. Always turn off the vacuum cleaner before picking it up or carrying it, attaching, or detaching the charger, dust bin, filter, or accessory tools provided.
27. **DO NOT** place any objects into openings or obstructing openings.
28. **DO NOT** use if any opening is blocked; keep free of dust, lint, hair, or anything that could restrict airflow.
29. **KEEP OUT OF REACH OF CHILDREN.** This vacuum cleaner is not a toy, and must not be played with, cleaned, or operated by children or persons with reduced physical or mental capabilities.
30. **DO NOT** operate without the dust bin and filter installed.
31. Keep the nozzle opening away from face, hair, fingers, or loose jewelry and clothing.
32. Only use the attachments provided with this product.
33. **DO NOT** charge at temperatures below 50°F (10°C) or above 104°F (40°C). Charging improperly or at temperatures outside of the
34. specified range may damage the battery and increase the risk of fire.
35. Store the appliance indoors. **DO NOT** use or store it below 37.4°F (3°C). The appliance must be at room temperature before operating it.

DUST BIN/FILTERS/ACCESSORIES

BEFORE USING:

36. Make sure the filter is completely dry after routine cleaning.
37. Make sure the dust bin and filter are reinstalled after routine maintenance.
38. Keep accessories free of blockages.
39. Use only filters and accessories made for this product. See instructions for purchasing replacements.
40. Clean filter periodically to keep the vacuum running efficiently every time.

INTRODUCTION

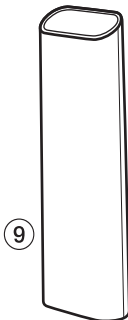
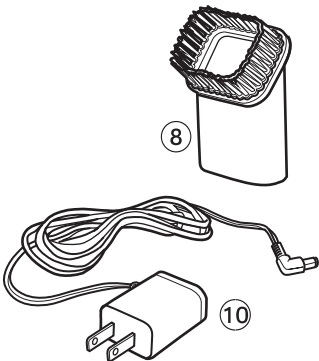
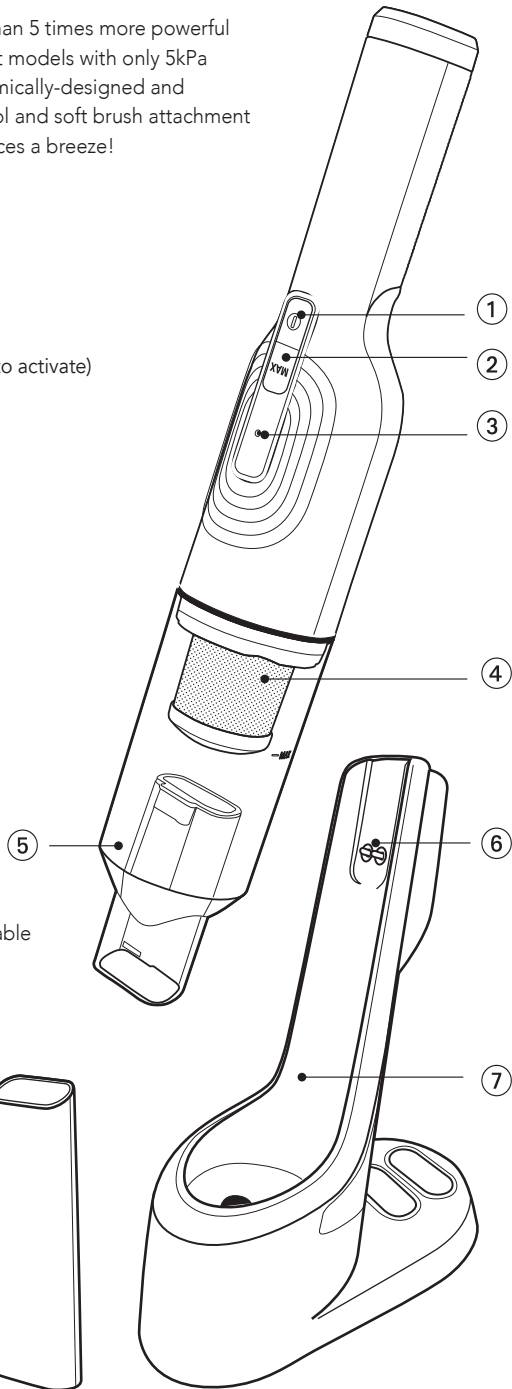
The ePro Select Slim Hand Vac is more than 5 times more powerful with 11kPa compared to standard market models with only 5kPa suction ratings. It is lightweight, ergonomically-designed and versatile with interchangeable crevice tool and soft brush attachment to make quick pick-ups on multiple surfaces a breeze!

Location of Controls

- ① Power Switch Button
- ② Power BOOST button (Keep Pressed to activate)
- ③ Charging Indicator Light
- ④ HEPA Filter
- ⑤ Dust Bin
- ⑥ Storage Stand Charging Ports
- ⑦ Charging/Storage Stand
- ⑧ Soft Brush/Fabric Tool
- ⑨ Crevice Tool
- ⑩ AC Power Cable (can be used on stand or directly on unit)

What's Inside

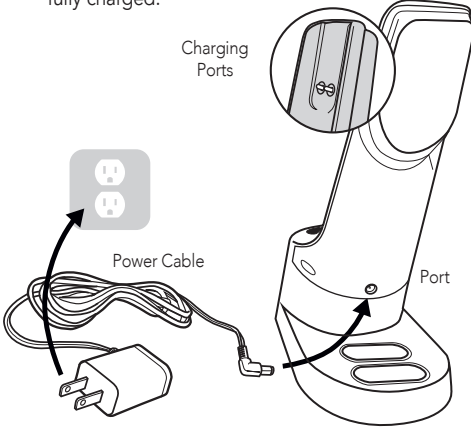
Cordless Hand Vacuum, built-in rechargeable battery, Brush Attachment, Crevice Tool, Storage/Charging Stand, Power Adapter, User Guide



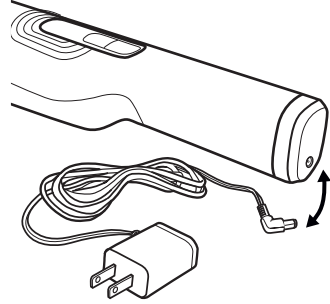
CHARGING AND ASSEMBLY

BEFORE FIRST USE THE BUILT-IN LITHIUM-ION BATTERY MUST BE FULLY CHARGED

- ① Place the charging/storage stand on a level surface out of the reach of children. Place the hand vacuum in the charging/storage stand. Make sure it is secure and charging sensors align with hand vacuum.
- ② Connect the power cord to the electrical outlet and to the charging port of the charging stand to start charging while unit is docked inside stand. The power indicator light flashes then remains bright when fully charged.



Charging unit without Stand



Connect the power cord to the electrical outlet and to the charging port of the vacuum to start charging.

NOTE: During first use, run the battery all the way down to properly condition it, then charge fully. It takes approximately 3 hours to charge battery completely.

LED Indicator Lights

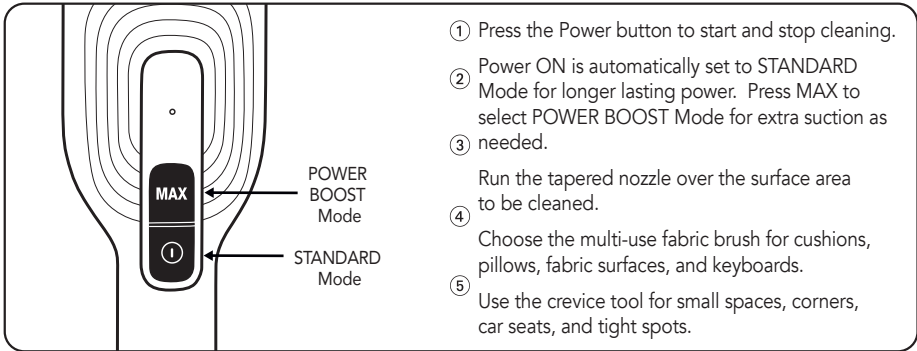
Function	LED Visual
Power On/ Fully charged	Power On Green light steady
Unit Charging	Green light blinking
Low battery	Green light blinking
Blockage	Green light blinking then stops working
No Light	Stopped working or power off

Rechargeable 2200 mAh Li-Ion Battery	
LOW Mode Ideal for small spaces, cushions, drapes, and car interiors Up to 20 Minutes Run Time/Charge	BOOST Mode Ideal for quick pick-ups and bursts of power for small messes Up to 10 Minutes Run Time/Charge

OPERATING INSTRUCTIONS



IMPORTANT: Before first use, make sure the hand vacuum is fully charged.



Using the Interchangeable Attachments

- Hand Vacuum features a built-in all-purpose nozzle for multiple surfaces
- Attach the **Crevice Tool** for hard-to-reach areas and corners
- Attach the **Soft Brush/Fabric Tool** for more delicate surfaces, fabrics, and upholstery

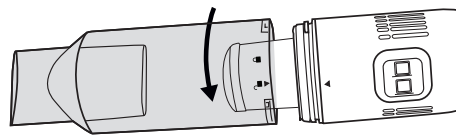
Emptying Dust Bin

- ① With the power off, flip the hand vacuum to see the underside. You will see LOCK and UNLOCK embossed icons.
- ② Turn dust bin counter-clockwise until you align the two arrows to the UNLOCK position.
- ③ Pull dust bin away from main unit and carefully empty contents into a trash container.
- ④ To replace dust bin, align the two arrows to the re-insert the dust bin into main unit and turn clockwise to secure dust bin into LOCK position.

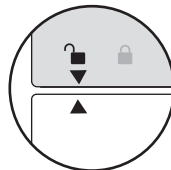
Cleaning and Maintenance

- ① To clean the metal screen and filter assembly, twist to remove and tap remaining dirt into a garbage can.
- ② Rinse the metal mesh filter screen with warm or cold water and dry thoroughly before reinstalling.
- ③ Separate the HEPA filter from the assembly and hand-wash with water only. Allow to air dry for 24 hours before reinstalling.

NOTE: Do not wash any parts of the vacuum or accessories in dishwasher.



UNLOCK Position



LOCK Position



TROUBLESHOOTING

OBSERVATION	POSSIBLE CAUSE	SOLUTION
No power or vacuum does not charge	<ul style="list-style-type: none"> • Power adapter not plugged into wall outlet securely • Electric wall outlet does not have power • Unit not placed into stand correctly 	<ul style="list-style-type: none"> • Make sure the unit's power cable is securely plugged into the wall outlet. • Plug the unit into a different outlet • Make sure charging receptacles on unit touch charging receptacles on charging stand
Hand Vacuum has diminished suction	<ul style="list-style-type: none"> • Check if the dust bin is full • The air inflow may be blocked • Recharge Unit 	<ul style="list-style-type: none"> • Turn unit off and unplug the appliance from the wall outlet and empty the dust bin • Unplug and remove the nozzle. Check the extension pipe, remove any blockage • Make sure unit is fully charged
Dust is coming out of the vacuum cleaner	<ul style="list-style-type: none"> • Check if the dust bin is full • Check that the dust bin is properly fitted to the main body • Check if the dust bin filter is in the dust bin 	<ul style="list-style-type: none"> • Empty and clean dust bin • Refit the dust bin to the main body • Install the filter in the dust bin
Battery no longer charges	<ul style="list-style-type: none"> • The removable rechargeable battery has a long use life but will eventually lose it ability to recharge 	<ul style="list-style-type: none"> • Contact service@eProSelect.com to purchase a replacement battery pack

Technical Specifications

Battery Type: **Lithium ion rechargeable battery**

Voltage/Capacity: **7.4 V/2200mAh**

Vacuum Capacity: **Approx. 160ml**

Operating Time: **Approx. 10-20 min**

Suction Power: **11,000 Pa**

Sound level: **approx. 80 dBA**

Charging Time: **3 hours**

Power: **80W**

Input: **9V \equiv 900mAh**

Motor Rated Voltage: **AC 120V**



LOW SPEED Mode: Operating time is 20 ± 2 minutes when fully charged

BOOST Mode: Operating times approximately 10 minutes one fully charged

BATTERY REMOVAL & DISPOSAL

This cordless rechargeable hand vacuum includes a built-in Lithium Ion battery. You can not dispose of this product with household waste. It must be disposed of safely at a hazardous waste collection site, recycling facility or an electronic retailer that recycles. Check your local or state laws for proper disposal procedures.

TERMS & CONDITIONS

2-YEAR Limited End User Warranty

ePro USA, LLC., (the "Company") warrants that their products (the "Product") are free of defects in material and workmanship for a period of 2-YEAR (the "Warranty Period") from the date of purchase by end user. In the event that the Product qualifies for coverage under this warranty, the Company at its option and at no charge may either repair or replace the Product (not including, shipping, handling, delivery or installation) with an identical product or product having similar features and functionality as determined by the Company. The Company does not warrant the installation, maintenance, or service of its Product. The Company is not responsible for ancillary equipment not supplied by the Company, which is attached to or used in connection with the Company's Product, or for the operation of the Product with any ancillary equipment, and all such equipment and operation of such equipment with the Product, is expressly excluded from this limited warranty. Furthermore, the Company shall not be responsible for any damage to the Product resulting from the use or operation of the ancillary equipment not furnished by the Company for use with the Product.

The Company extends this limited warranty only to the original end-user. This limited warranty and the remedies hereunder are limited to Products properly used, maintained, stored, installed and used for their intended purpose and use only, in accordance with the Company instructions. This warranty shall not apply to Product installed, operated or maintained in or under abnormal conditions. This warranty is not applicable to any Product, which is not operated and/or installed in accordance with the Company's specifications and or industry practices and standards. This warranty does not extend to any battery power supply included in/with the Product.

This warranty also does not extend to the purchase of opened, used, repaired, repackaged and/or resealed products, including but not limited to sale of such products on Internet auctions sites and/or sales of such products by surplus, bulk resellers, or any individual unauthorized resellers.

Any and all warranties or guarantees shall immediately cease and terminate as to any products or parts thereof which are repaired, replaced, altered, or modified, without the prior express and written permission of the Company.

This warranty sets forth all of the Company's responsibilities for the Product.

THIS WARRANTY IS GIVEN IN LIEU OF ALL OTHER EXPRESS WARRANTIES. IMPLIED WARRANTIES, STATUTORY OR OTHERWISE, INCLUDING BUT NOT LIMITED TO ANY IMPLIED WARRANTIES OF MERCHANTABILITY OR FITNESS FOR A PARTICULAR PURPOSE, ARE LIMITED TO THE DURATION OF THIS LIMITED WARRANTY. IN NO EVENT, INCLUDING WITHOUT LIMITATION, IN CONTRACT, TORT, STRICT LIABILITY OR WARRANTY, SHALL THE COMPANY BE LIABLE TO THE PURCHASER OR TO ANY THIRD PARTY, FOR ANY DAMAGES OR FOR ANY LOSS OF USE, LOSS OF TIME, LOSS OF LIFE, INCONVENIENCE, COMMERCIAL LOSS, LOST PROFITS OR SAVINGS OR INCIDENTAL, CONSEQUENTIAL OR SPECIAL DAMAGES ARISING OUT OF THE USE OR INABILITY TO USE SUCH PRODUCT. TO THE FULL EXTENT THAT SUCH MAY BE DISCLAIMED BY LAW, COMPANY'S SOLE LIABILITY SHALL BE TO REPLACE OR REPAIR THE PRODUCT.



WARNING: This product can expose you to chemicals including Lead, which is known to the State of California to cause reproductive harm. For more information go to www.P65Warnings.ca.gov

This device complies with part 15 of the FCC Rules. Operation is subject to the following two conditions: (1) This device may not cause harmful interference, and (2) this device must accept any interference received, including interference that may cause undesired operation.

If you have any questions or for further support, please email us at service@eproselect.com





For assistance with your product,
please email service@eproselect.com
or visit our website eProSelect.com

MADE IN CHINA

Distributed by ePro USA LLC. Austin, TX ©2023 ePro USA LLC. All rights reserved.



PLEASE RECYCLE

Facilities may not exist in your area.